



Atlas Copco



# LSF39 Die Grinder

Power, Productivity and Ergonomics

# LSF39 Die G

## Packed with power

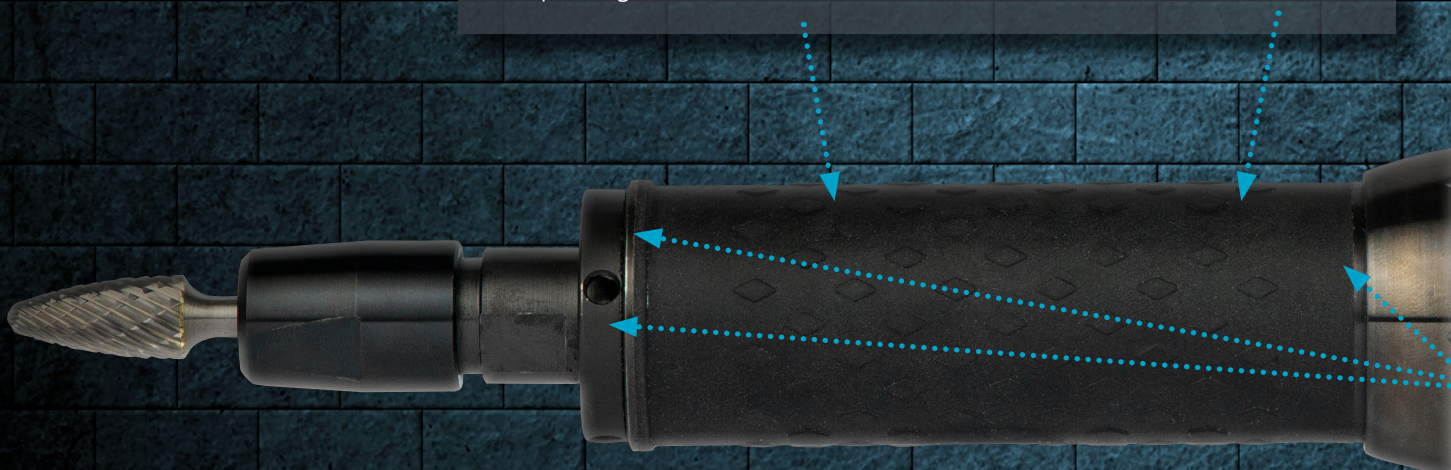
The new LSF39 series have been equipped with a state of the art motor which delivers a class leading performance with up to 1.8 kW. This will make the time on the job shorter and give a higher output.

## Ergonomic design

Ergonomics and user experience were the main focus for the new LSF39. The result is a rubberized grip and a trigger designed for long time use without discomfort. By combining low vibrations with a robust and long lasting product Atlas Copco continues to deliver the best value for the operator.



The unique LSF vibration dampening design allows the rotating spindle to flex under heavy load. Scatter dampening significantly extends the working life of rotary burrs and reduces cost of operation while also improving comfort and control.



Rubberized extension for a comfortable grip and high precision.

# rinder

## Innovation

Unrivaled performance for high productivity.

## Ergonomics

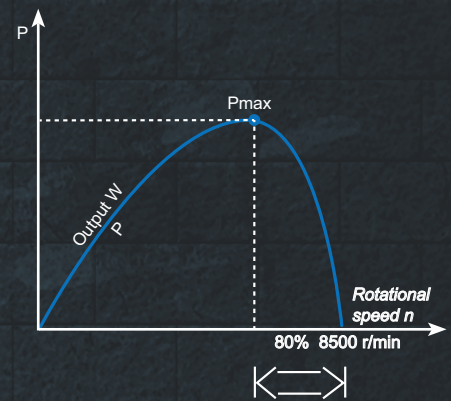
Very low vibration levels and low weight reduce the exposure and strain on the operator.

## Durability

A robust tool with low weight, designed for all day operation.

## Governor control

Maximum power for continued strong grinding with no loss of rotational speed is enabled by the speed governor. The result is a high removal rate and savings of valuable compressed air.



An ergonomic trigger that gives great comfort and control.

1.8kW motor. The high power minimizes the trigger time during grinding and sanding. A superior productivity that cuts costs on labour and abrasives, reducing the payback time dramatically.

Robust 3 bearing design

Governor controlled



## LSF39 Die Grinder

Model	Max free speed r/min	Max output		Collet size		Length		Weight		Air consumption at max output		Air consumption at free speed		Rec. hose size		Air inlet thread		Scatter damped	Ordering No.
		kW	hp	mm	in	mm	in	kg	lb	l/s	cfm	l/s	cfm	mm	in	BSP in	NPT in		
<b>Straight die grinders</b>																			
LSF39 S120E	12000	1.5	2.0	6	1/4	367	14.4	1.6	3.6	24	51	9.0	19.1	13	1/2	3/8	3/8	Yes	8423 1233 00
LSF39 S150E	15000	1.7	2.3	6	1/4	367	14.4	1.6	3.6	28	59	12.1	25.6	13	1/2	3/8	3/8	Yes	8423 1233 01
LSF39 S180E	18000	1.8	2.5	6	1/4	367	14.4	1.6	3.6	31	65	15.2	32.2	13	1/2	3/8	3/8	Yes	8423 1233 02
LSF39 S250E	25000	1.8	2.5	6	1/4	367	14.4	1.6	3.6	33	70	33.2	70.3	13	1/2	3/8	3/8	Yes	8423 1233 03

## Accessories

### Adapter

UNC/W 5/8.

Cone wheel internal thread.

Ordering No. 4150 2292 90

### Rigid ring

Ring for rebuilding flexible extended die grinder to rigid die grinder. Two rings are needed.

Ordering No. 4150 2319 00

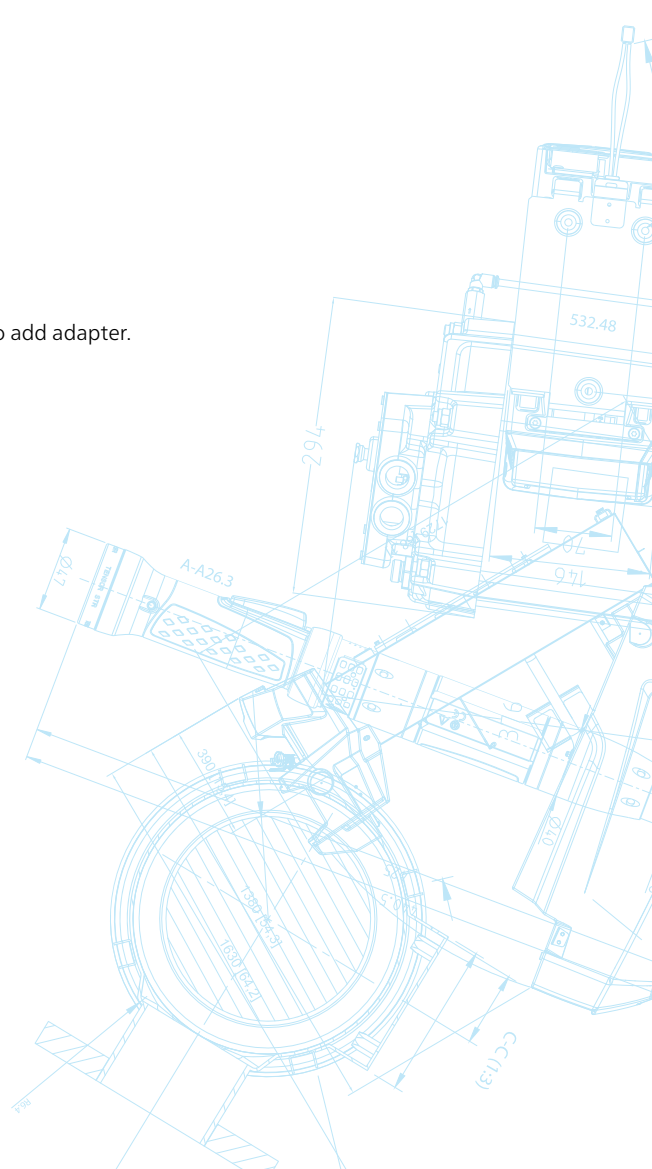


## Service kit

Ordering No. 4081 0581 03



Scan to learn how to add adapter.



**Atlas Copco AB**

(publ) SE-105 23 Stockholm, Sweden

Phone: +46 8 743 80 00

Reg. no: 556014-2720

atlascopco.com