

JUMBO

Internal Pipe Blaster



The Jumbo Internal Pipe Blaster tool cleans the interior of pipes up to 40' long and ranging in size from 1016 mm (40") to 1930 mm (76") I.D. The tool connects to most abrasive blasting machines in place of a standard nozzle. As the tool passes through the length of the pipe being cleaned, abrasive is ejected by two special nozzles mounted on a rotating head. Optimal rotating speed is controlled by the braking system. An adjustable centering carriage supports the tool through the pipe internal.

Features and benefits

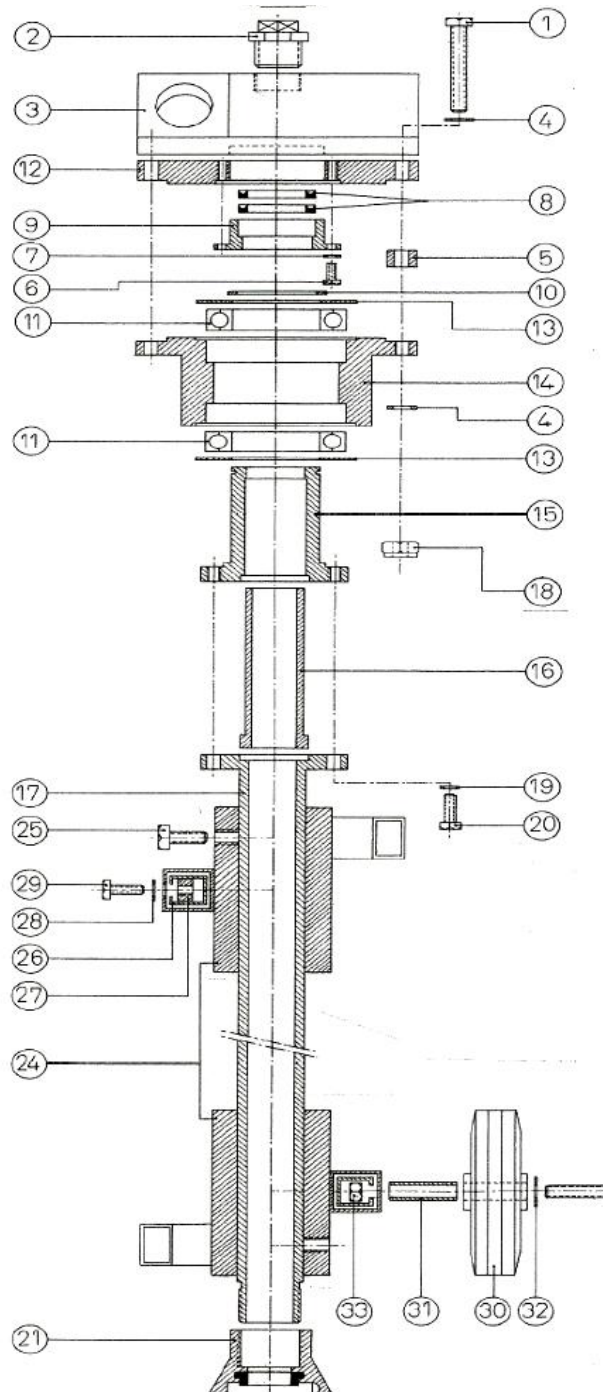
- Constant cleaning of internal surface
- Cleaning with the highest speed possible
- Saving on time and abrasives
- Adjustable setup for the best cleaning speed
- Easy handling and no down-time
- Blast in only one drive through
- Adjustable for all kind of abrasive
- Very rigged construction

Jumbo Internal Pipe Blaster

Part no.	Description
3400000	JIPB-I Jumbo incl. carriage, excl. nozzles
3403400	JIPB-36 Repair kit. Containing ◊-marked items in quantities part list.

Item	Part no.	Description		Qty
01	3400100	JIPB-1 Bolt M10 x 70		
02	3400200	JIPB-2 Pipe plug	◊	4
03	3400300	JIPB-3 Nozzle head		
04	3400400	JIPB-4/32 Washer		
05	3400500	JIPB-5 Distance ring		
06	3400600	JIPB-6 Bolt M6 x 10		
07	3400700	JIPB-7 Washer		
08	3400800	JIPB-8 Bearing seal	◊	2
09	3400900	JIPB-9 Adaptor seal		
10	3401000	JIPB-10 Lock ring	◊	1
11	3401100	JIPB-11 Bearing	◊	2
12	3401200	JIPB-12 Flange housing		
13	3401300	JIPB-13 Protection ring	◊	2
14	3401400	JIPB-14 Housing (alu)		
15	3401500	JIPB-15 Housing (steel)		
16	3401600	JIPB-16 Bushing	◊	1
17	3401700	JIPB-17 Tube with flange		
18	3401800	JIPB-18/33 Bolt M10	◊	4
19	3401900	JIPB-19/28 Washer M8		
20	3402000	JIPB-20 Bolt M8x25		
21	3402100	JIPB-21 Cast iron coupling		
24	3402200	JIPB-24 Carriage collar		
25	3402300	JIPB-25 Bolt M10x25		
26	3402400	JIPB-26 Centering leg		
27	3402500	JIPB-27 Clamp		
28	3402600	JIPB-28/19 Washer M8		
29	3402700	JIPB-29 Bolt		
30	3402800	JIPB-30 Wheel Ø140x35 GL-15		
31	3402900	JIPB-31 Guide bushing		
32	3403000	JIPB-32 Washer		
33	3403100	JIPB-33/18 Bolt M10		
34	3403200	JIPB-34 Bolt M10x65		
35	3403300	JIPB-35 Centering carriage, complete		
	3403500	Extension pipe (optional), not shown		

All (◊)-marked items are included in 3403400 Jumbo Spare Parts kit



Jumbo Internal Pipe Blaster - nozzles

Part no.	Description
2007000	ATSDX-4 Tungsten Carbide long venturi nozzle, 6.5mm orifice, length 135mm, 1¼" (32 mm) inlet and fine thread
2008000	ATSDX-5 Tungsten Carbide long venturi nozzle, 8.0mm orifice, length 135mm, 1¼" (32 mm) inlet and fine thread
2009000	ATSDX-6 Tungsten Carbide long venturi nozzle, 9.5mm orifice, length 135mm, 1¼" (32 mm) inlet and fine thread