



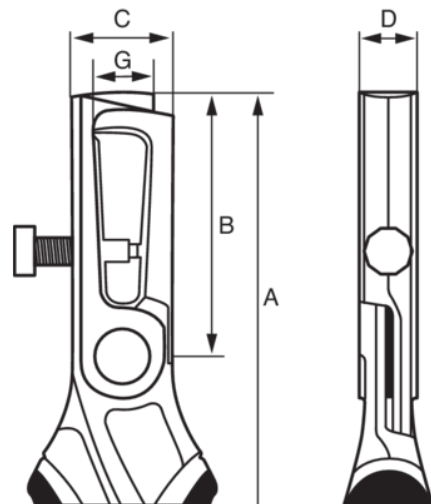
**2223G**

**ERGO™ Wire Stripping Pliers with  
Self-Opening Dual-Component  
Handles and Phosphate Finish**



**PRODUCT DETAILS**

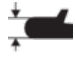

- Two-component ERGO™ handles: soft thermoplastic surface on tough polypropylene base provides superior grip
- Developed according to the scientific ERGO™ process
- Stripping capacity: 0.5 mm to 5 mm
- Equipped with a patented return spring featuring an on/off function
- Easy wire cutting and stripping pliers for copper and aluminium
- For stripping copper wire up to 5 mm
- High-performance alloy steel
- Phosphate finish, anti-corrosion treated



**Follow the Fish!**



## PRODUCT ATTRIBUTES

| Product           | <b>A</b> | <b>B</b> | <b>C</b> | <b>D</b> | <b>G</b> |  | AWG  |  |
|-------------------|----------|----------|----------|----------|----------|---|------|---|
| <b>2223 G-150</b> | 165 mm   | 36 mm    | 17 mm    | 9.3 mm   | 8.5 mm   | 0.5-5 mm  | 4-23 | 170 g   |

