



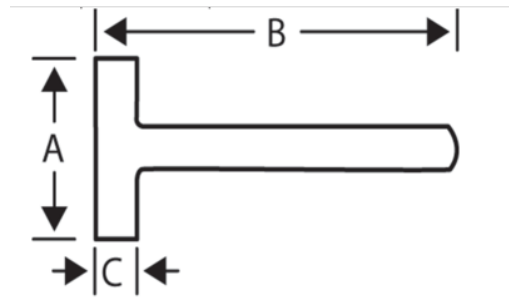
488F

Square Head Sledge Hammers with Tri-Material Handle



PRODUCT DETAILS



- Epoxy black painted head
- Square mallets with fibreglass handle
- three-component handle: fibreglass core, hard elastomer, soft rubber
- Conical assembly for increased safety
- Hardened striking heads according to standards



Follow the Fish!



PRODUCT ATTRIBUTES

Product		A	B	C	
488F-2000	2000 g	119 mm	700 mm	50 mm	2540 g
488F-3000	3000 g	140 mm	900 mm	57 mm	3940 g
488F-4000	4000 g	150 mm	900 mm	64 mm	5010 g
488F-5000	5000 g	160 mm	900 mm	68 mm	5850 g
488F-6000	6000 g	170 mm	900 mm	73 mm	6840 g

